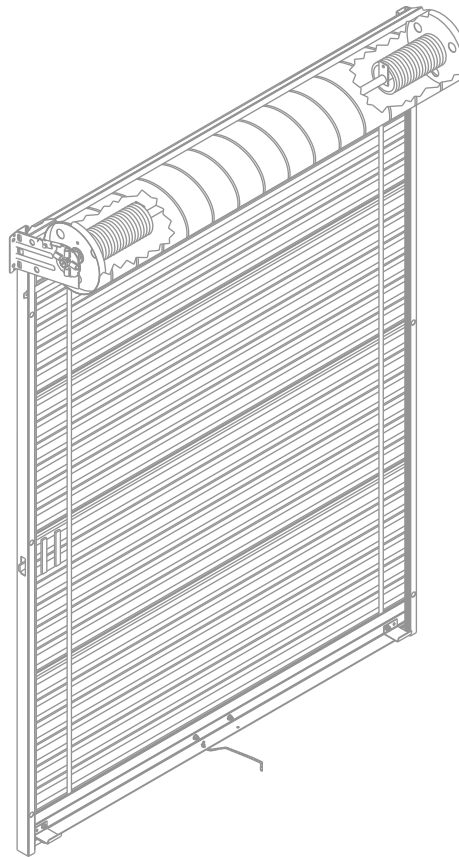


CAUTION
 Use proper lifting equipment and correct lifting procedures to avoid damage or injury.

WARNING!
 A rolling door is a large heavy object that moves with the help of springs under extreme tension and electric motors. Moving objects, springs under tension and electric motors can cause serious injuries or death. For your safety and the safety of others, follow these instructions.

IMPORTANT NOTE:
 Do not cut tape and plastic wrap that holds the door in a roll until you are directed to do so in step 6B. Janus International Corporation cannot guarantee or accept responsibility for doors that are not installed as directed. Please read and understand all instructions before beginning the installation process.

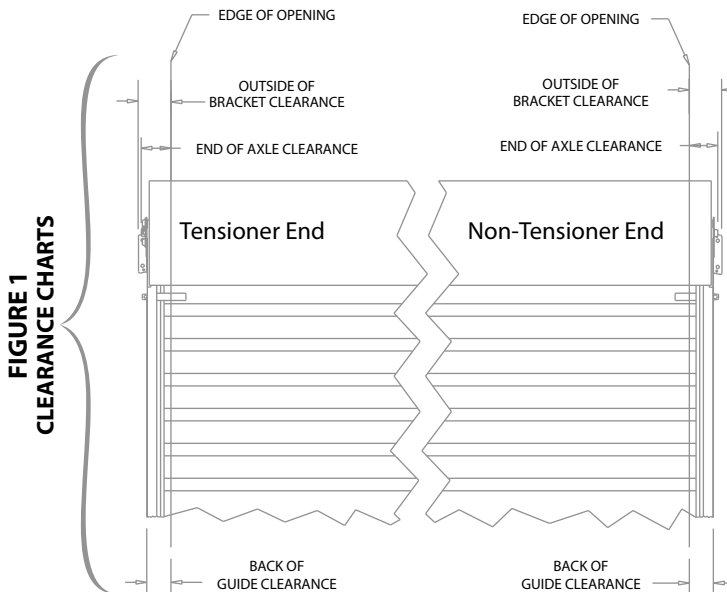


SERIES 750
 installation guide

STEP 1: WALL OPENING

- A. Check wall opening width and height and verify these measurements against size of door to be installed.
- B. Verify that jambs are plumb.
- C. Check floor and header for level.
- D. Check for adequate side clearance at jambs and clearance above and at sides of header. Check horizontal and vertical headroom requirements. See clearance charts **figure 1** for minimum requirements.
- E. Verify that the guide mounting surface on the jamb is flush.
- F. Make sure all parts required for installation are with the door.

POTENTIAL HAZARD	EFFECT	PREVENTION
 MOVING DOOR	CAN CAUSE SERIOUS INJURY OR DEATH	DO NOT stand or walk under moving door. Keep door in full view and free of obstructions while operating. DO NOT allow children to operate the door.
 EXTREME SPRING TENSION	CAN CAUSE SERIOUS INJURY OR DEATH	Installation, repairs and adjustments must be made by a trained rolling service door systems technician using proper tools and instructions. DOOR MUST BE FULLY OPENED WHEN MAKING ADJUSTMENTS



SIDE ROOM REQUIRED*

GUIDE	OUTSIDE OF EACH BRACKET LEG	EACH END OF AXLE
WITHOUT WINDLOCK		
2-1/4"	3-3/8"	3-1/4"
WITH WINDLOCK		
2-7/8"	4-1/8"	4"

*Dimensions are taken from edge of opening

HEADROOM REQUIRED

OPENING HEIGHT	VERTICAL HEADROOM	HORIZONTAL HEADROOM
THRU 7'-4"	15-1/2"	17"
OVER 7'-4" THRU 8'-8"	16"	17-1/2"
OVER 8'-8" THRU 10'-0"	17"	18-1/4"

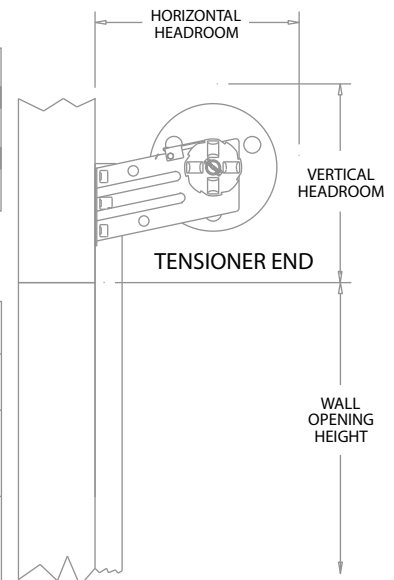


FIGURE 1
 CLEARANCE CHARTS

STEP 2: POSITION DOOR AND PARTS

- Make sure floor is clean in order to prevent damage to curtain.
- On inside of building, place left guide on floor perpendicular to opening with guide bottom close to the left jamb and the top toward inside of building. Do the same with the right guide to the right jamb. **See figure 2.**
- Place door on floor at top of and between guides. Rotate door as necessary to locate bottom bar against floor. **See figures 2 and 3.**
- Distribute hardware parts to appropriate areas.

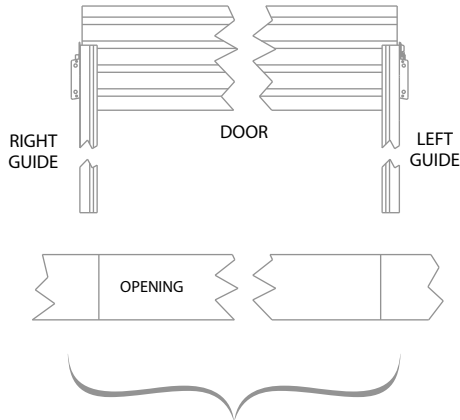


FIGURE 2
DOOR POSITION ON FLOOR

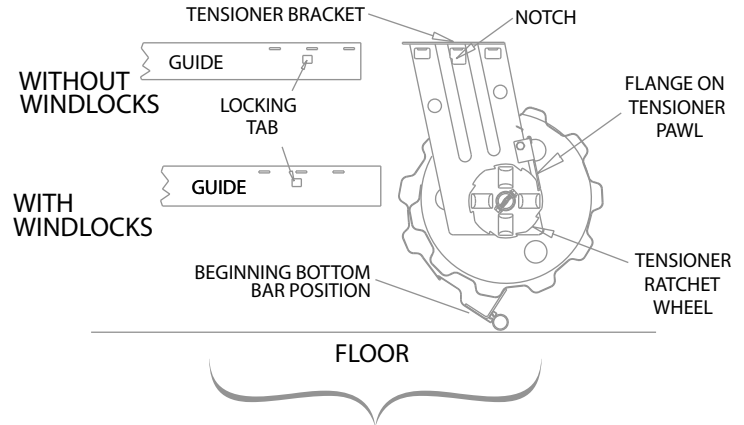


FIGURE 3
GUIDE TO BRACKET INSTALLATION

NOTE: Brackets, tensioner, spring(s) and curtain mounted latch are pre-assembled to the door at the factory. Do not remove.

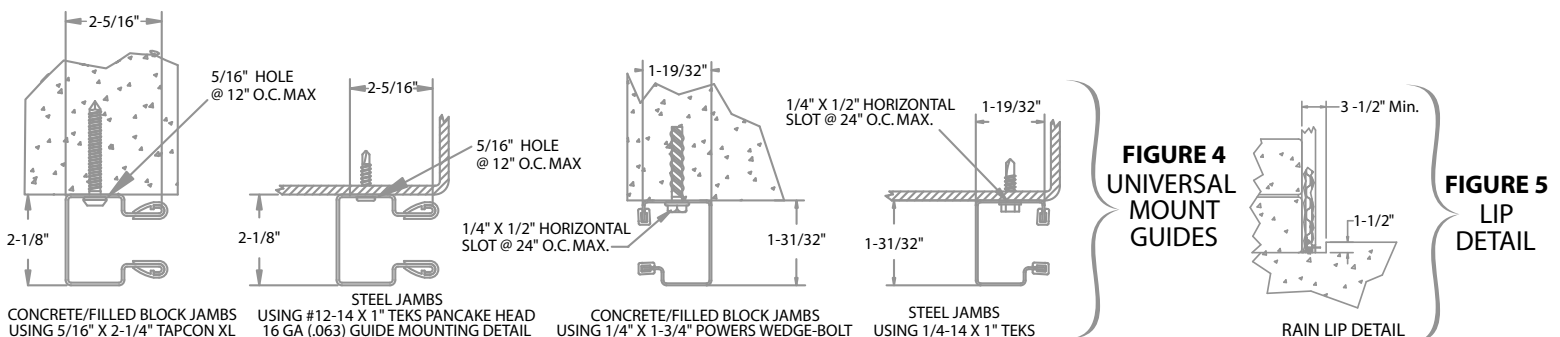
STEP 3: GUIDES TO BRACKETS INSTALLATION

- At tensioner end of door, lift flange on tensioner pawl until end of the pawl clears the tensioner ratchet wheel. Rotate bracket in order to position short leg end upward. Release flange on pawl and allow end to engage with the nearest tooth on the ratchet wheel. **See figure 3.**
- Bring top end of guide in alignment with bracket and insert hooks on bracket into slots in guide.
- Slide bracket and guide together until locking tab in guide fully engages notch in bracket.
- If locking tab does not fully engage with bracket notch, use a hammer and punch to bend tab into bracket notch.
- Repeat steps 3B through 3D for non-tension bracket and guide. The bracket will require being held in position.

⚠ WARNING!

Locking tab in guide must fully engage with notch in bracket. Failure to do so may allow the door to fall during installation, which can cause serious injury or death and/or damage to door.

NOTE: For opening heights over 8'-8", clamp bottom of brackets to guides with locking pliers in order to ensure rigidity of top of guide while lifting. Remove pliers after securing brackets to jambs.



STEP 4: LIFTING DOOR ASSEMBLY

- Move door and guide assemblies toward wall opening with bottom of guides resting next to jambs.
- Lift door assembly evenly, pivoting around bottom of guides. *See figure 6.*

! WARNING!

Two installers are required to lift door assembly into position against jambs. The guides are not designed to support the curtain weight during a one man installation. Attempting to make installation with only one installer can result in serious injury and/or damage to door. Do not leave door unattended until it is securely attached to jambs.

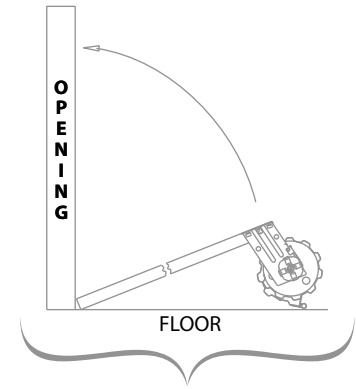


FIGURE 6
LIFTING DOOR ASSEMBLY

STEP 5: GUIDES AND BRACKETS TO JAMB

- Attach brackets and guides to jambs using fasteners shown in *table 1*.
- The guides should be mounted centered about the opening and spaced curtain width + 9/16" apart for non-windlock doors and curtain width + 2-1/2" for windlock doors. This spacing is measured from back of guide to back of guide. *See figure 7.* Both guides must be plumb.
- The appropriate fastener must be installed at each hole location in brackets and guides. *See table 1.*

TABLE 1: Wall Fasteners - for jamb attachment of Brackets and Guides

ITEM	JAMB	FASTENERS	DRILL SIZE
Brackets	Steel	1/4-14 x 1" TEKS Screw	None
	Concrete or Filled Block	1/4" x 1-3/4" Powers Wedge-Bolt	Powers 01314
Guides without windlocks	Steel	1/4-14 x 1" TEKS Screw	None
	Concrete or Filled Block	1/4" x 1-3/4" Powers Wedge-Bolt	Powers 01314
Guides with windlocks	Steel	#12-14 x 1" PSD Pancake Head TEKS Screw	None
	Concrete or Filled Block	5/16" x 2-1/4" Tapcon XL (TORX T-40 drive)	1/4" Masonry

! WARNING!

Door can fall if both brackets are not securely fastened to the jambs. All fasteners attaching brackets to jambs must fit securely into a structural member or surface. If door falls, serious injury or death and/or damage to door can result.

NOTE:

Welding of guides to the jambs is not recommended.

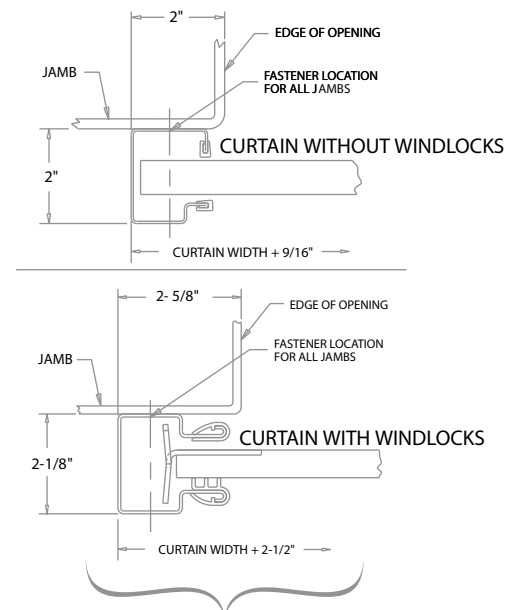


FIGURE 7
DOOR CURTAIN CROSS SECTION

STEP 6: SETTING INITIAL SPRING TENSION

- Rotate door 1-1/2 revolutions in the direction that would send the bottom bar down through the guides.
- While firmly holding the door at the bottom bar, cut the tape and plastic wrap that holds the door in a coil. Direct the bottom bar down into the guides, stopping just past the head stop area and hold securely through completion of step 7.

! WARNING!

Extreme spring tension can cause serious injury or death. Installation, repairs and adjustments must be made by a trained rolling service door systems technician using proper tools and instructions. Door must be fully opened when making adjustments.

STEP 7: HEAD STOPS

- For doors without windlocks, slide head stop from inside of each guide. Secure each head stop to guide with 1/4-20 x 3/4" thread cutting type F hex screw. **See figure 8.**
- For doors with windlocks, secure each head-stop to guide with 1/4-20 serrated flange nut. install carriage bolt from inside of guide. **See figure 9.**

FIGURE 8
NON-WINDLOCK
HEAD STOP

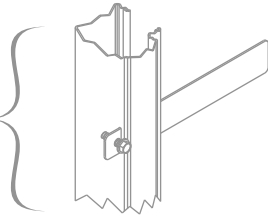


FIGURE 9
WINDLOCK
HEAD STOP

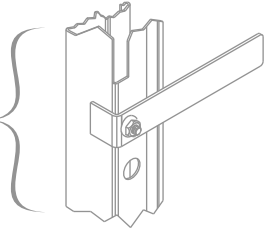
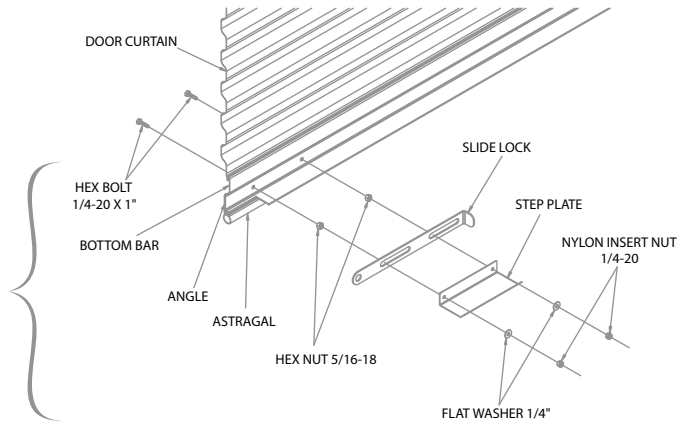


FIGURE 10
OPTIONAL BOTTOM
BAR MOUNTED
SLIDE LOCKS



STEP 8: MINI STOP CLIPS, HANDLE(S) AND PULL ROPE

- Install mini stop clip at each end on inside of bottom bar using existing single 1/4-20 x 1/2" carriage bolt and nut. **See figure 11.**
 - Install handle(s) on outside of bottom bar using 1/4-20 x 1/2" carriage bolts and nuts.
 - Install rope in one of the holes at the center of the horizontal leg of the bottom bar angle.
- OPTIONAL: BOTTOM BAR MOUNTED SLIDE LOCKS - **SEE FIGURE 10** FOR INSTALLATION.

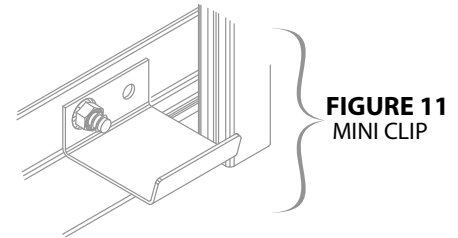


FIGURE 11
MINI CLIP

STEP 9: CHECK DOOR OPERATION

- Lower and raise the door to test the door balance.
- If door is easy to close, but hard to open; increase spring tension.
- If door is hard to close, but easy to open; decrease spring tension.

STEP 10: ADJUST SPRING TENSION

- Place 3/8" diameter winding bar in tensioner ratchet wheel. **See figure 12.**
- Rotate winding bar in the down direction to increase spring tension. Each engagement of a tooth equals 1/8 turn.
- To decrease spring tension, pull down slightly on winding bar until pawl disengages tooth. Lift flange on pawl and move winding bar up until past the pawl/tooth engagement. Allow pawl to rest on ratchet wheel and continue moving winding bar up until the pawl is fully engaged with the tooth.
- Remove winding bar and operate door.
- Repeat steps 10A through 10D as necessary.

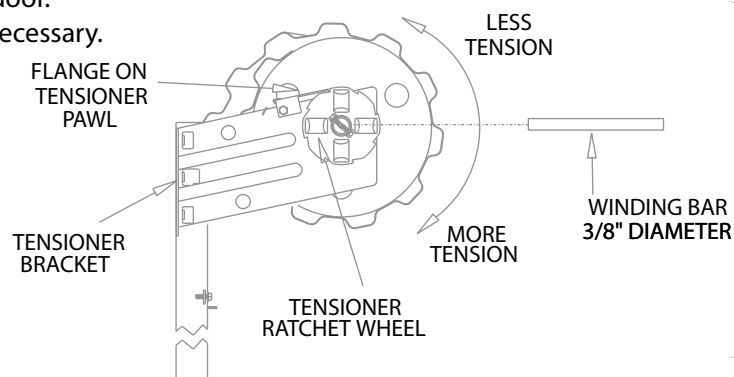


FIGURE 12
ADJUST
SPRING
TENSION



WARNING!

DOOR MUST BE FULLY OPENED
WHEN MAKING ADJUSTMENTS.

NOTE: Latch slide slot in the guide may require adjusting after door installation due to variances in manufacturing and/or site conditions.