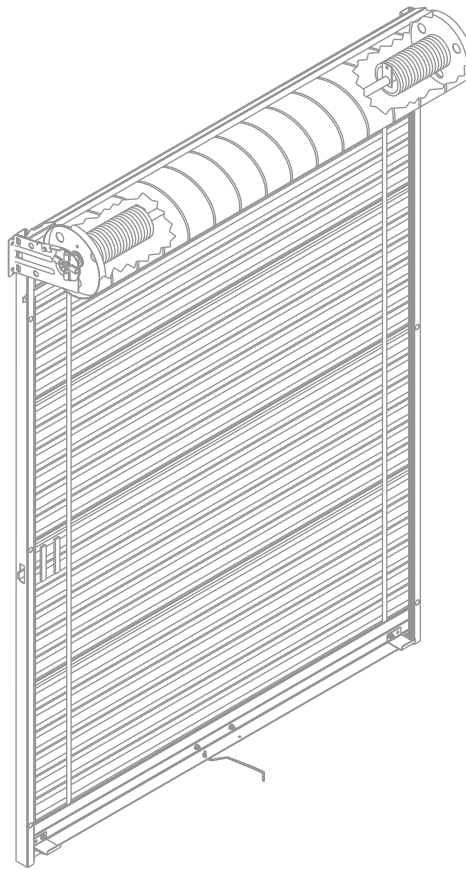


CAUTION
 Use proper lifting equipment and correct lifting procedures to avoid damage or injury.

WARNING!
 A rolling door is a large heavy object that moves with the help of springs under extreme tension and electric motors. Moving objects, springs under tension and electric motors can cause serious injuries or death. For your safety and the safety of others, follow these instructions.

IMPORTANT NOTE:
 Do not cut tape and plastic wrap that holds the door in a roll until you are directed to do so in step 6B. Janus International Corporation cannot guarantee or accept responsibility for doors that are not installed as directed. Please read and understand all instructions before beginning the installation process.

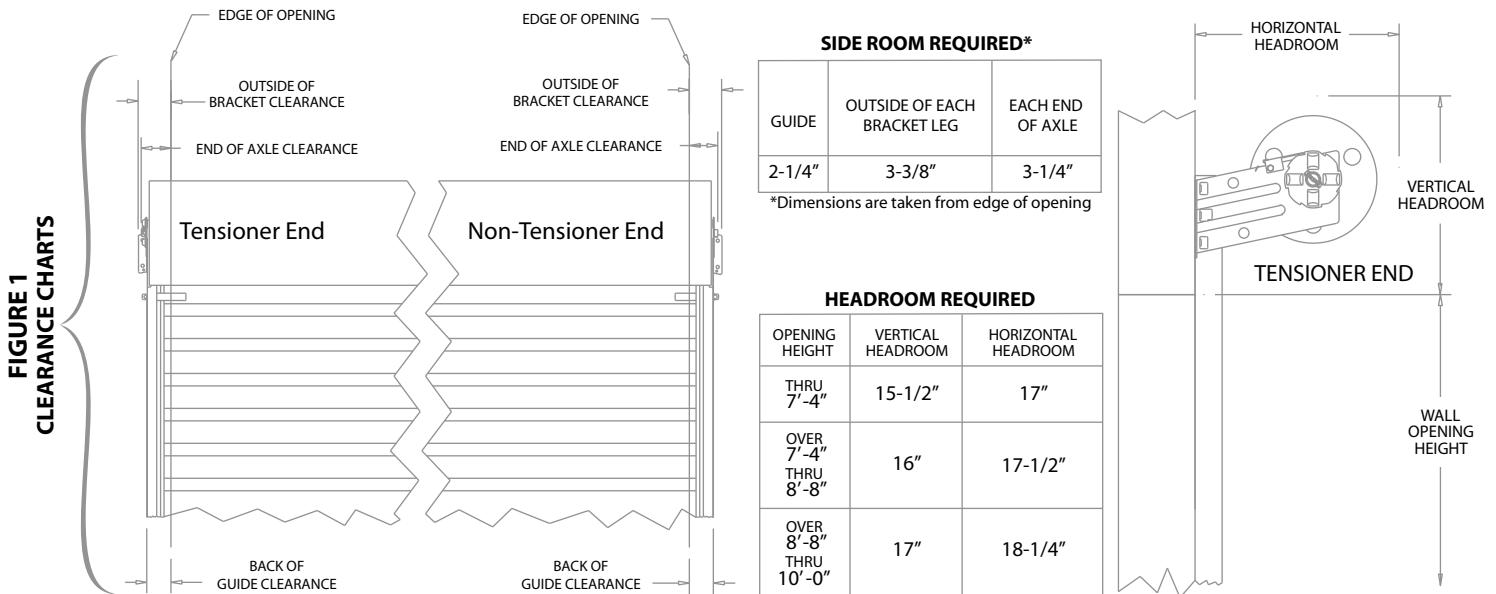


SERIES 650
 installation guide

STEP 1: WALL OPENING

- A. Check wall opening width and height and verify these measurements against size of door to be installed.
- B. Verify that jambs are plumb.
- C. Check floor and header for level.
- D. Check for adequate side clearance at jambs and clearance above and at sides of header. Check horizontal and vertical headroom requirements. See clearance charts **figure 1** for minimum requirements.
- E. Verify that the guide mounting surface on the jamb is flush.
- F. Make sure all parts required for installation are with the door.

POTENTIAL HAZARD	EFFECT	PREVENTION
 EXTREME SPRING TENSION	CAN CAUSE SERIOUS INJURY OR DEATH	DO NOT stand or walk under moving door. Keep door in full view and free of obstructions while operating. DO NOT allow children to operate the door.
 MOVING DOOR	CAN CAUSE SERIOUS INJURY OR DEATH	Installation, repairs and adjustments must be made by a trained rolling service door systems technician using proper tools and instructions. DOOR MUST BE FULLY OPENED WHEN MAKING ADJUSTMENTS



STEP 2: POSITION DOOR AND PARTS

- Make sure floor is clean in order to prevent damage to curtain.
- On inside of building, place left guide on floor perpendicular to opening with guide bottom close to the left jamb and the top toward inside of building. Do the same with the right guide to the right jamb. **See figure 2.**
- Place door on floor at top of and between guides. Rotate door as necessary to locate bottom bar against floor. **See figures 2 and 3.**
- Distribute hardware parts to appropriate areas.

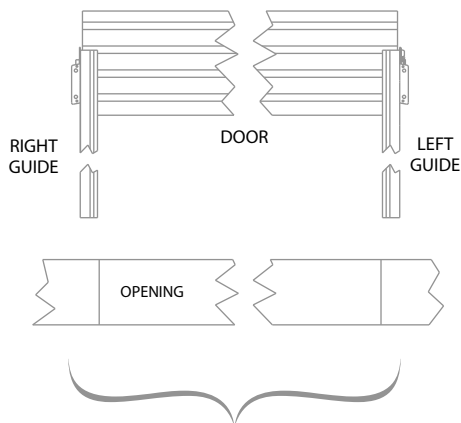


FIGURE 2
DOOR POSITION ON FLOOR

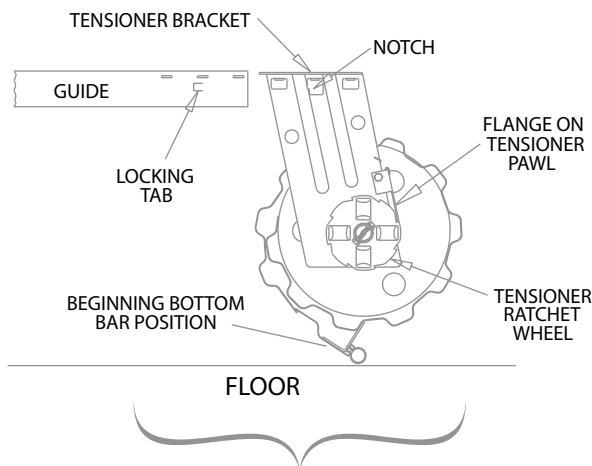


FIGURE 3
GUIDE TO BRACKET INSTALLATION

NOTE: Brackets, tensioner, spring(s) and curtain mounted latch are pre-assembled to the door at the factory. Do not remove.

STEP 3: GUIDES TO BRACKETS INSTALLATION

- At tensioner end of door, lift flange on tensioner pawl until end of the pawl clears the tensioner ratchet wheel. Rotate bracket in order to position short leg end upward. Release flange on pawl and allow end to engage with the nearest tooth on the ratchet wheel. **See figure 3.**
- Bring top end of guide in alignment with bracket and insert hooks on bracket into slots in guide.
- Slide bracket and guide together until locking tab in guide fully engages notch in bracket.
- If locking tab does not fully engage with bracket notch, use a hammer and punch to bend tab into bracket notch.
- Repeat steps 3B through 3D for non-tension bracket and guide. The bracket will require being held in position.

⚠ WARNING!

Locking tab in guide must fully engage with notch in bracket. Failure to do so may allow the door to fall during installation, which can cause serious injury or death and/or damage to door.

NOTE: For opening heights over 8'-8", clamp bottom of brackets to guides with locking pliers in order to ensure rigidity of top of guide while lifting. Remove pliers after securing brackets to jambs.

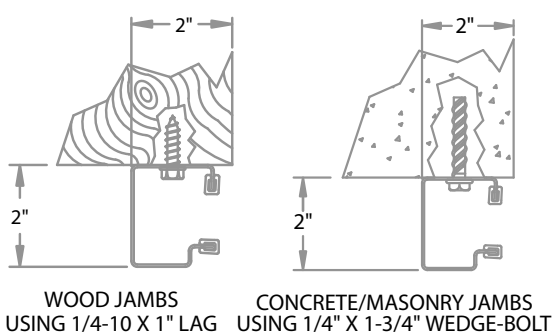


FIGURE 4
UNIVERSAL
MOUNT
GUIDES

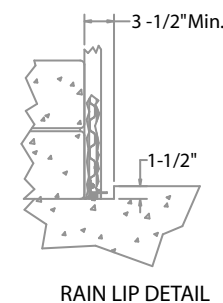
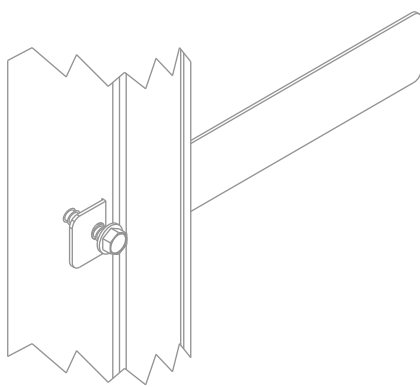


FIGURE 5
LIP
DETAIL

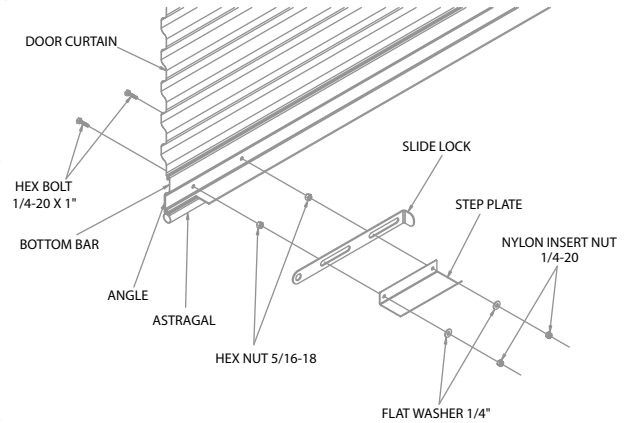
STEP 7: HEAD STOPS

- Slide head stop from inside of each guide. **See figure 8.**
- Secure each head stop to guide with 1/4-20 x 3/4" thread cutting type F hex screw.



**FIGURE 8
HEAD STOP**

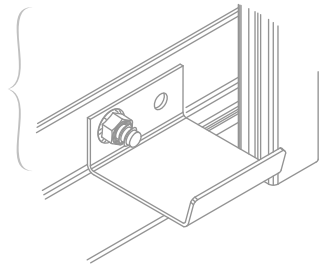
**FIGURE 9
OPTIONAL BOTTOM
BAR MOUNTED
SLIDE LOCKS**



STEP 8: DOOR STOP CLIPS, HANDLE(S) AND PULL ROPE

- Install stop clip at each end on inside of bottom bar using existing single 1/4-20 x 1/2" carriage bolt and nut. **See figure 10.**
 - Install handle(s) on outside of bottom bar using 1/4-20 x 1/2" carriage bolts and nuts.
 - Install rope in one of the holes at the center of the horizontal leg of the bottom bar angle.
- OPTIONAL: BOTTOM BAR MOUNTED SLIDE LOCKS. **See figure 9 for installation.**

**FIGURE 10
DOOR STOP CLIP**



! WARNING!

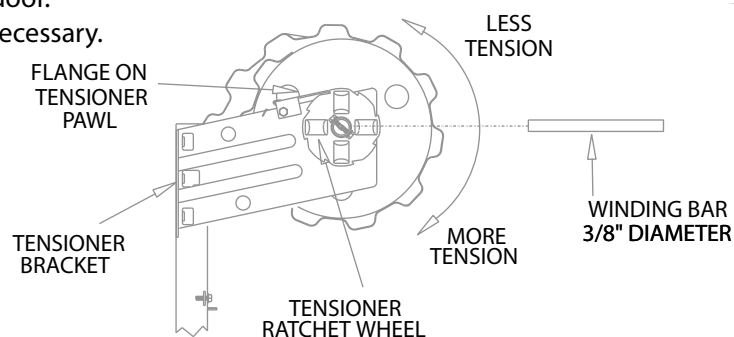
Installation of door stop clips are required. Failure to properly install clips can cause the door curtain to travel beyond the guides resulting in door damage and or personal injury.

STEP 9: CHECK DOOR OPERATION

- Lower and raise the door to test the door balance.
- If door is easy to close, but hard to open; increase spring tension.
- If door is hard to close, but easy to open; decrease spring tension.

STEP 10: ADJUST SPRING TENSION

- Place 3/8" diameter winding bar in tensioner ratchet wheel. **See figure 11.**
- Rotate winding bar in the down direction to increase spring tension. Each engagement of a tooth equals 1/8 turn.
- To decrease spring tension, pull down slightly on winding bar until pawl disengages tooth. Lift flange on pawl and move winding bar up until past the pawl/tooth engagement. Allow pawl to rest on ratchet wheel and continue moving winding bar up until the pawl is fully engaged with the tooth.
- Remove winding bar and operate door.
- Repeat steps 10A through 10D as necessary.



**FIGURE 11
ADJUST
SPRING
TENSION**

! WARNING!

**DOOR MUST BE FULLY OPENED
WHEN MAKING ADJUSTMENTS.**

NOTE: Latch slide slot in the guide may require adjusting after door installation due to variances in manufacturing and/or site conditions.